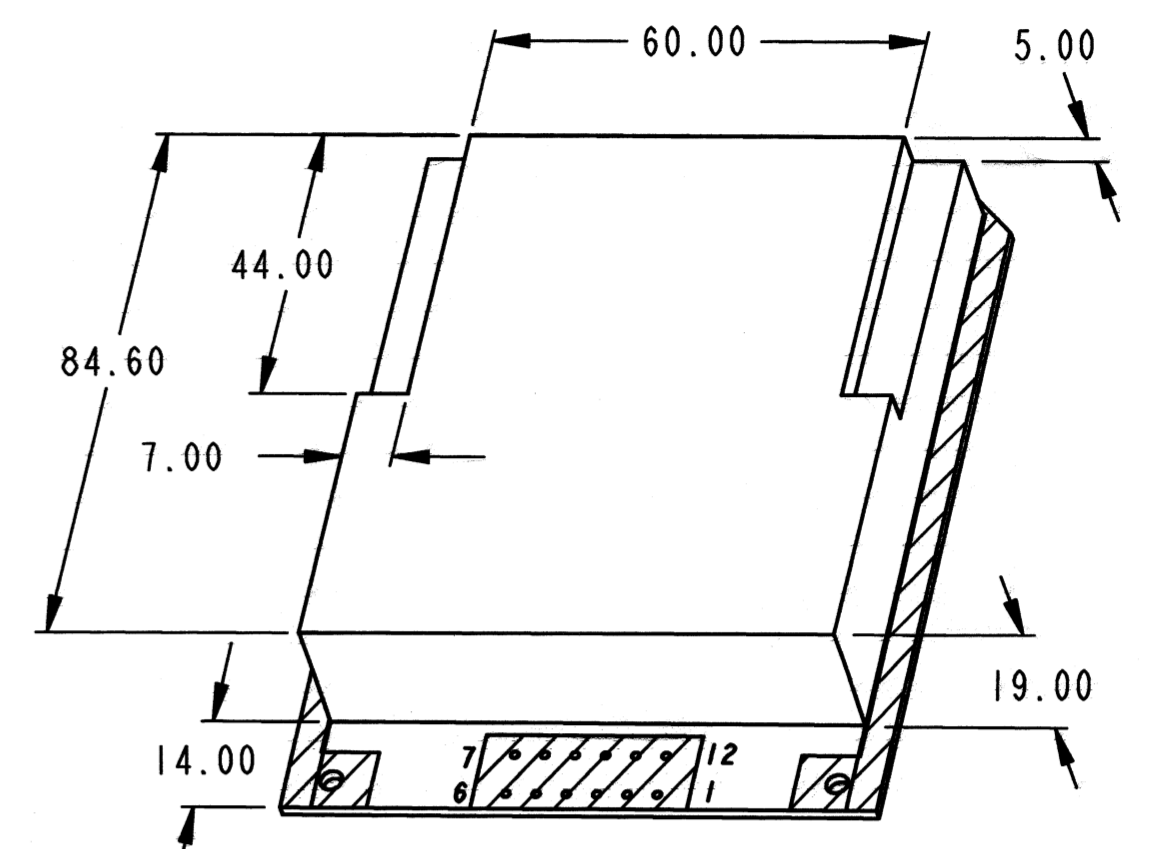
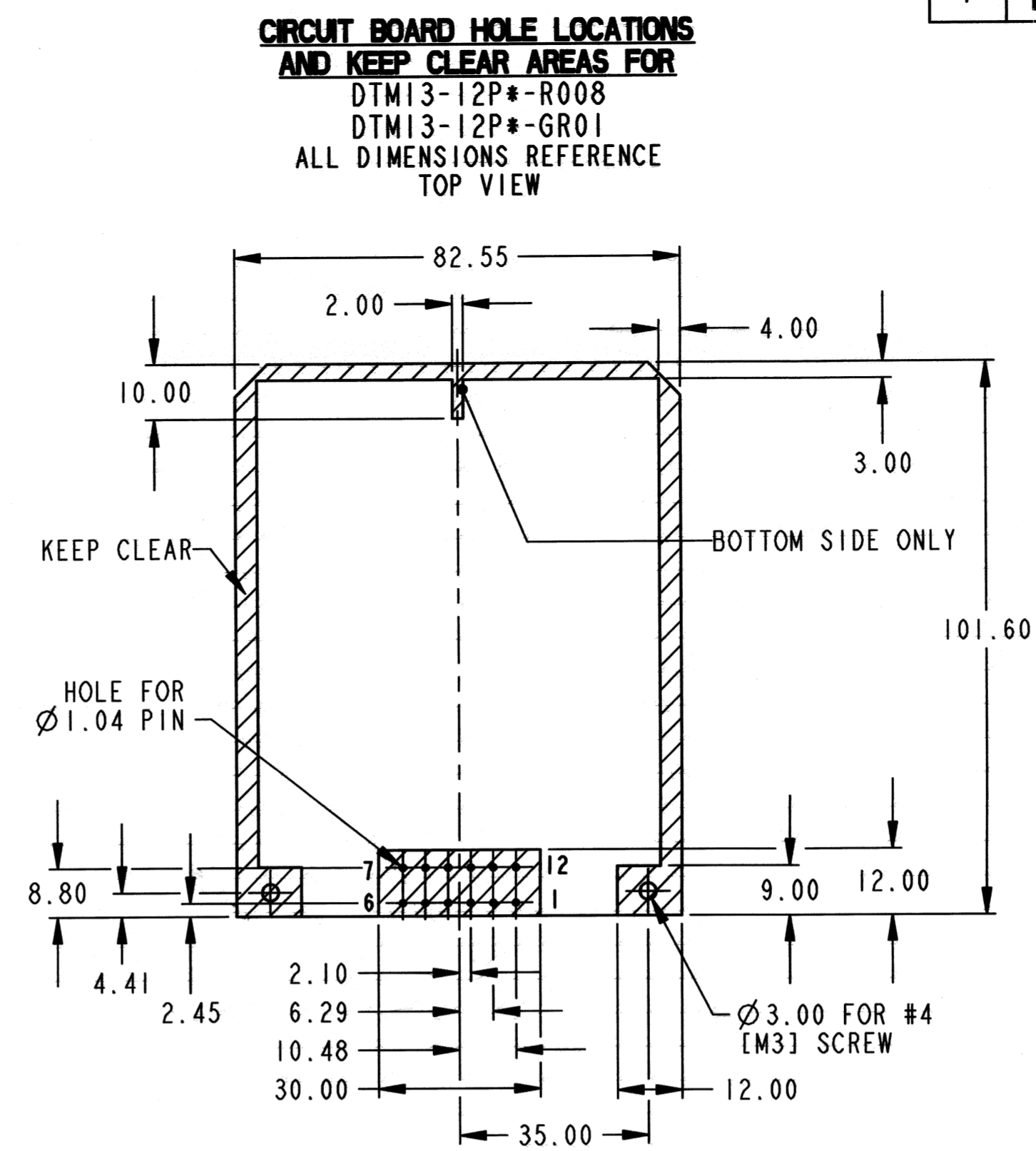
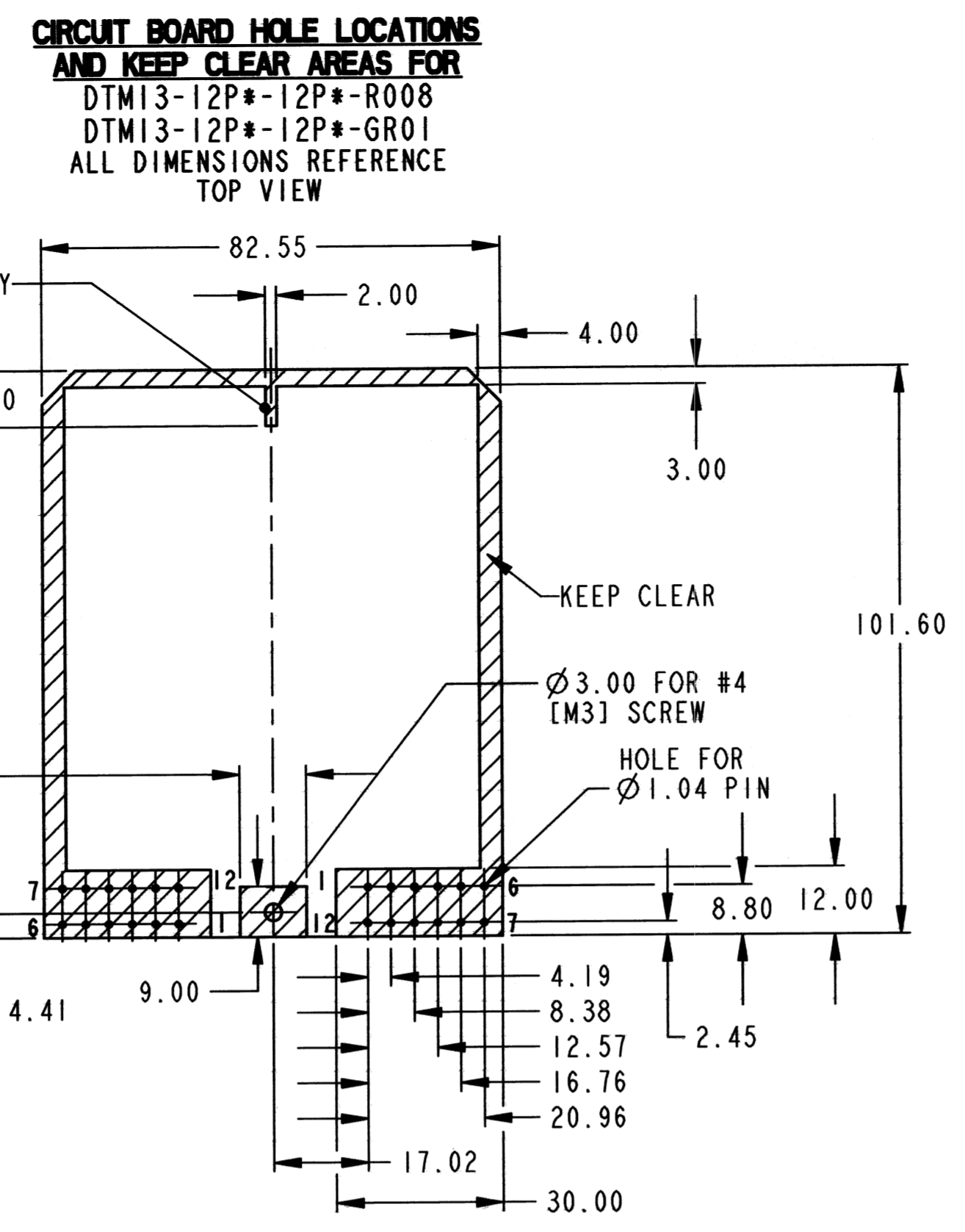
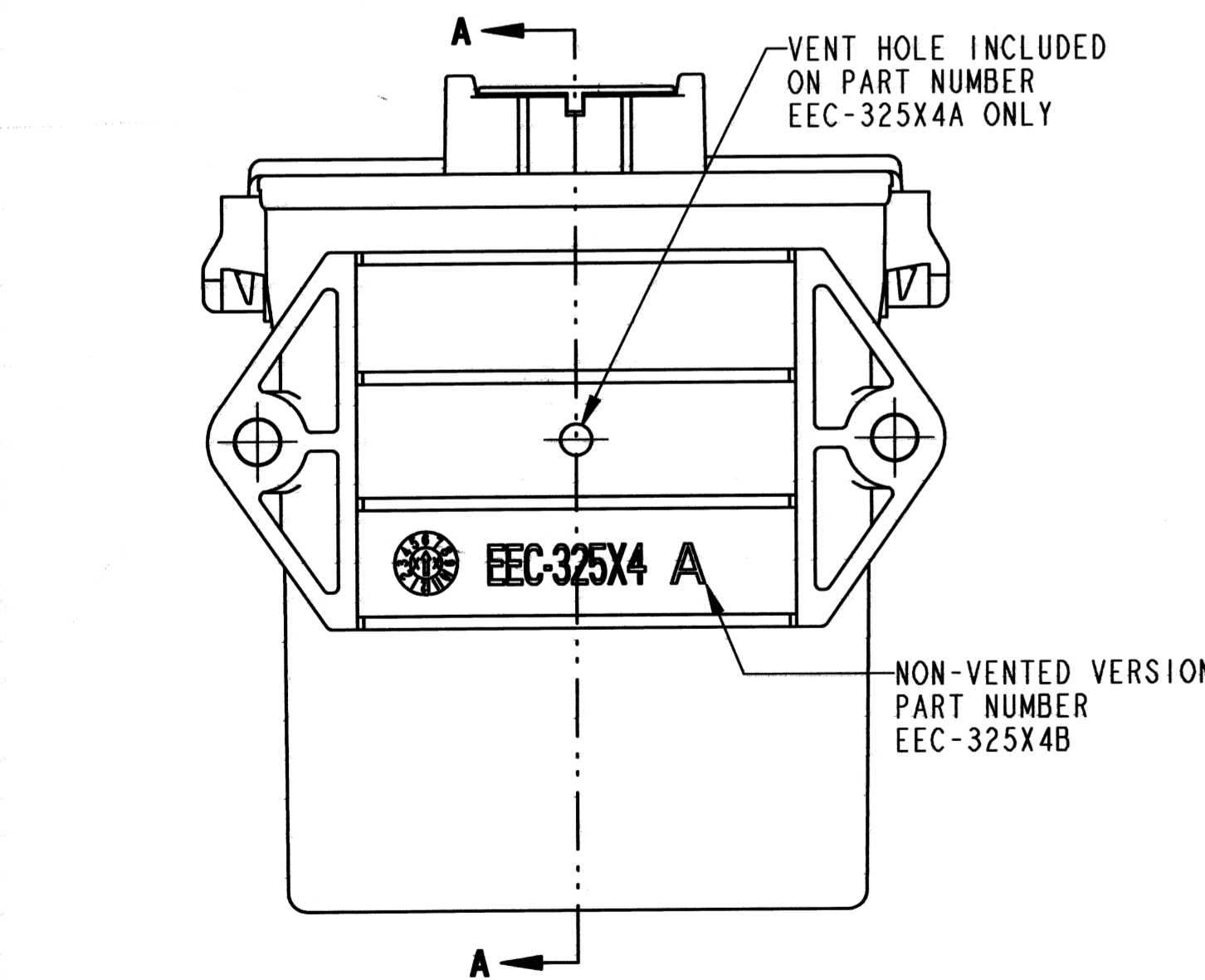
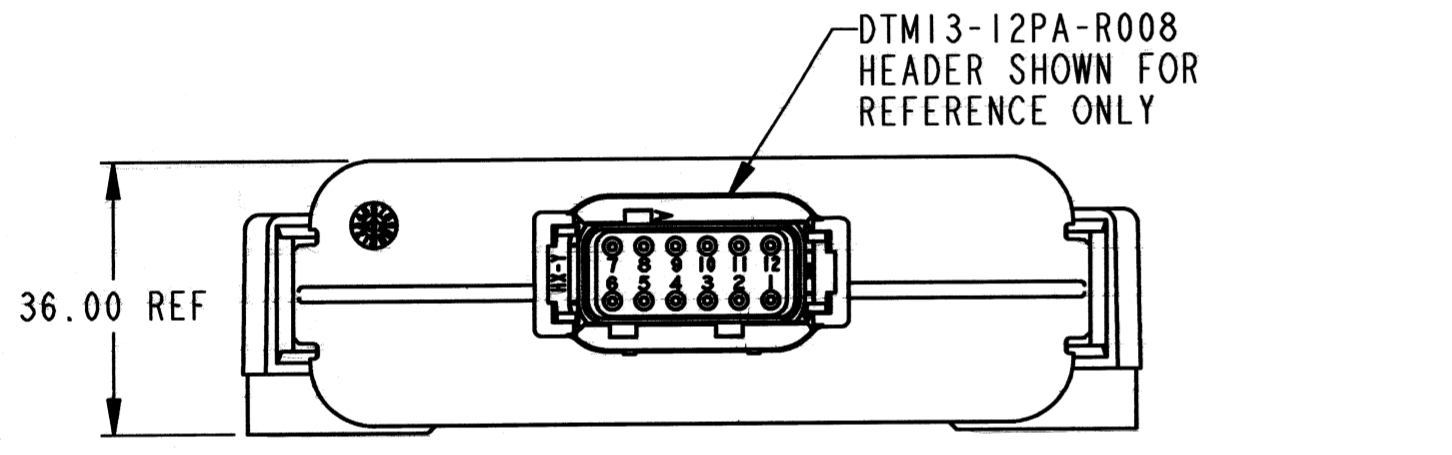
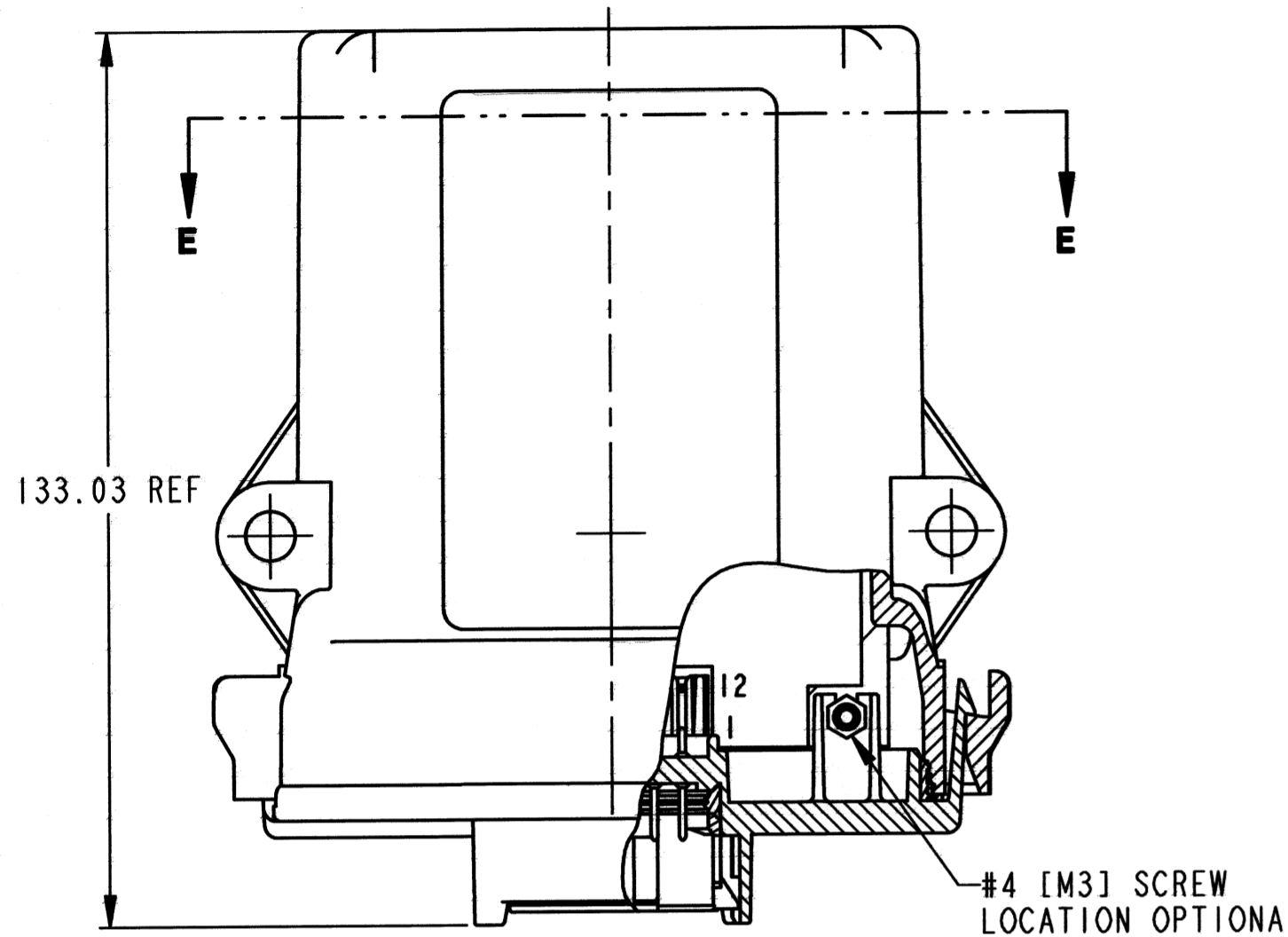
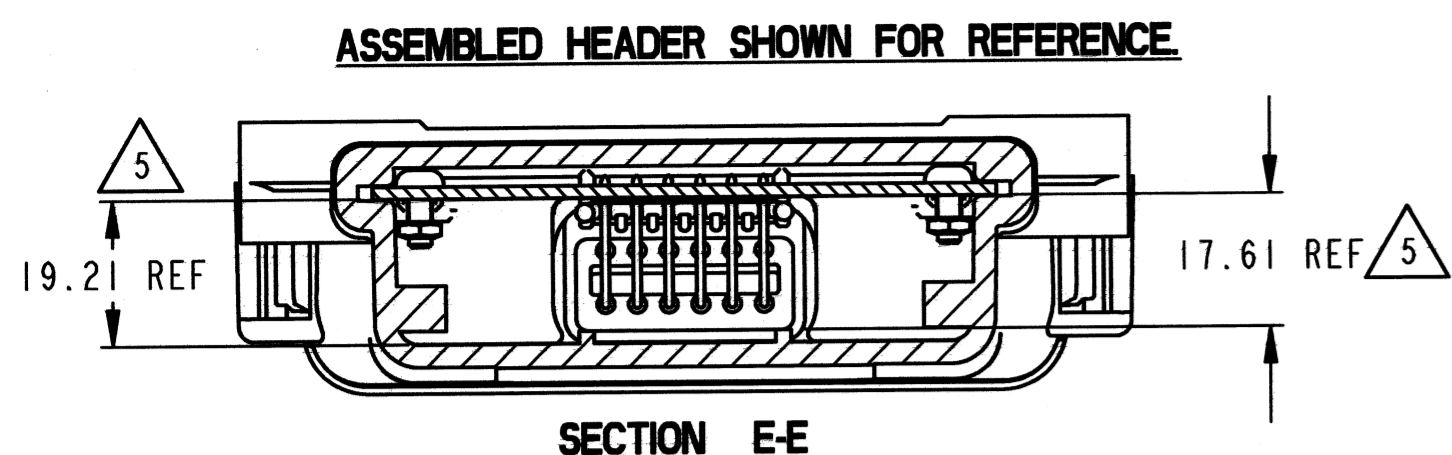
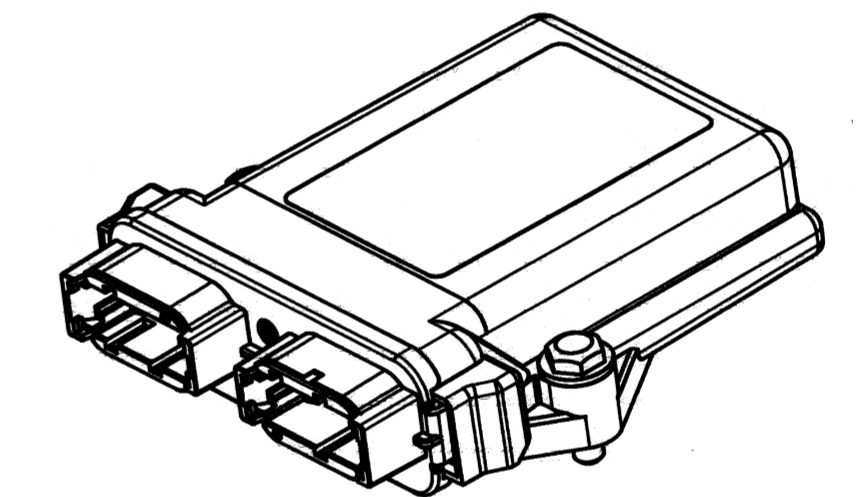
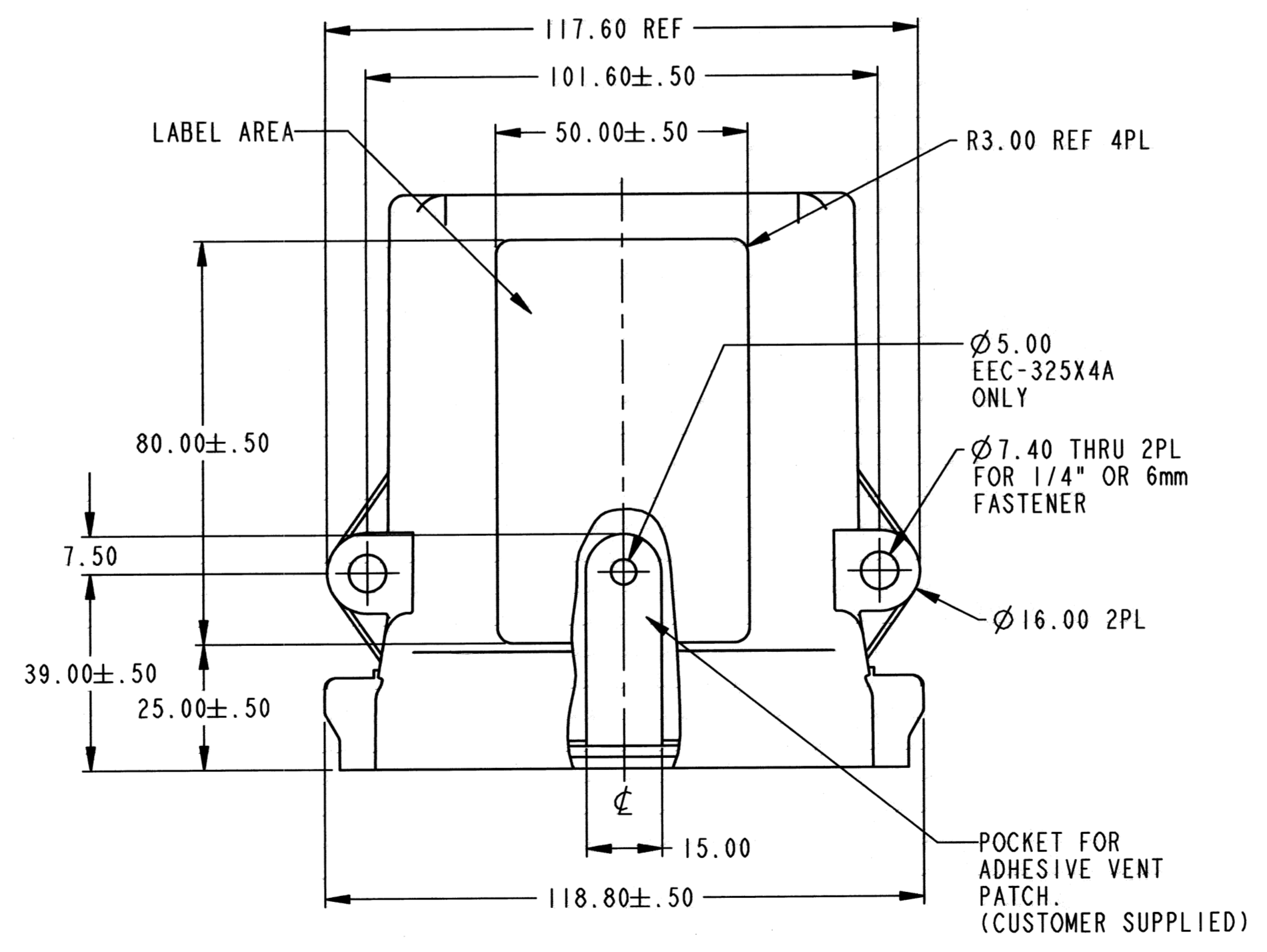
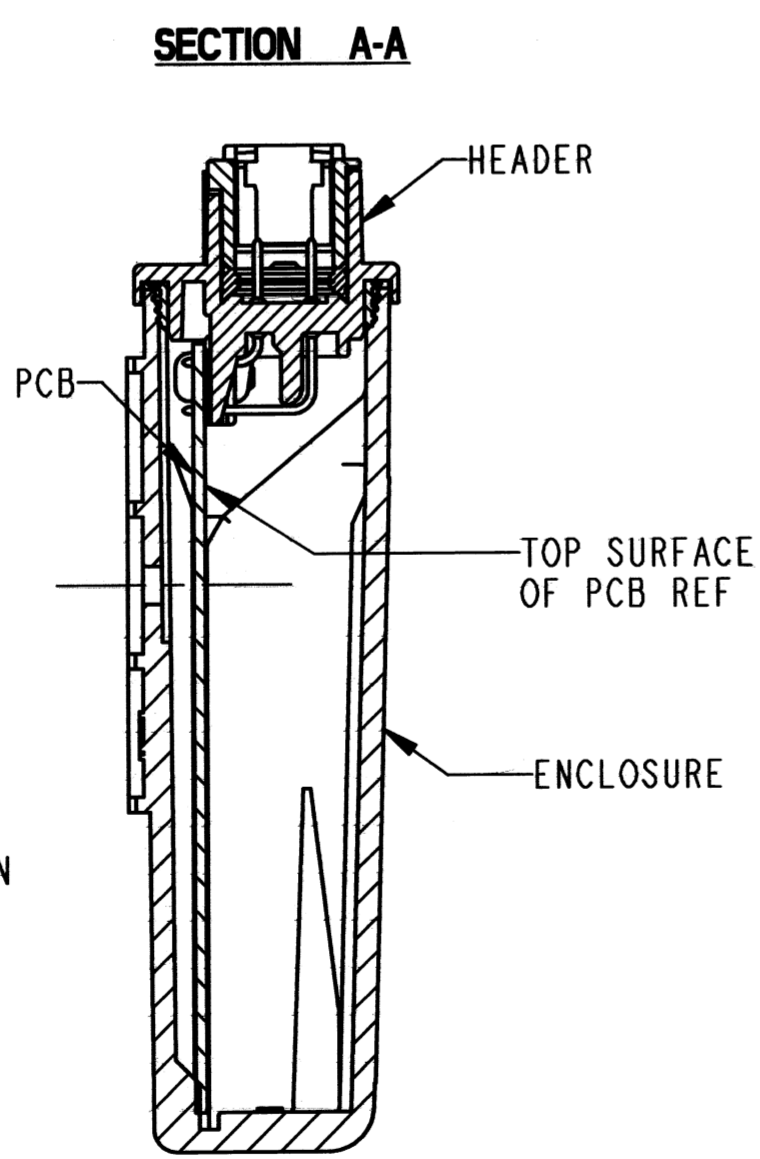


REV F EEC-325X4A EEC-325X4B

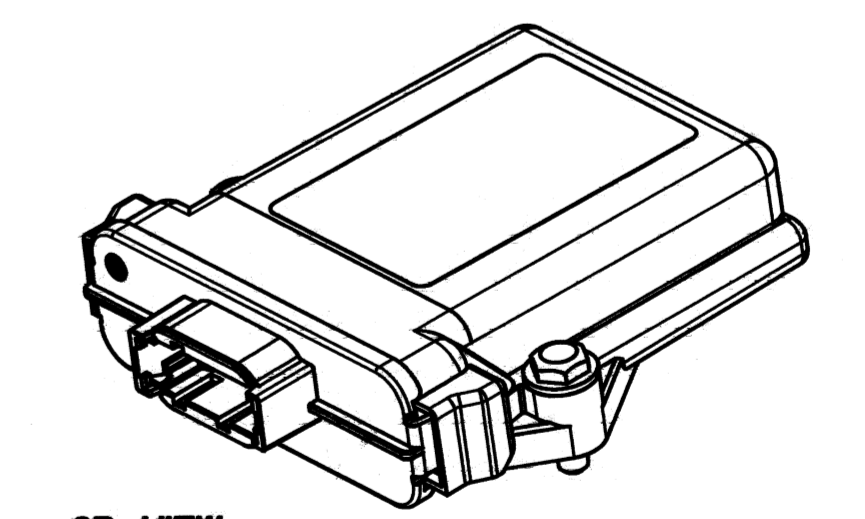
REVISIONS			
SYM	DESCRIPTION	DATE	APPROVED
C	RELEASED PER E.O. P17282	6-7-01	RDR
D	RELEASED PER E.O. P17357	7-13-01	RDR
E	RELEASED PER E.O. P18244	8-4-03	C.W.
F	REVISED PER E.O. P21370	5-29-12	RDR



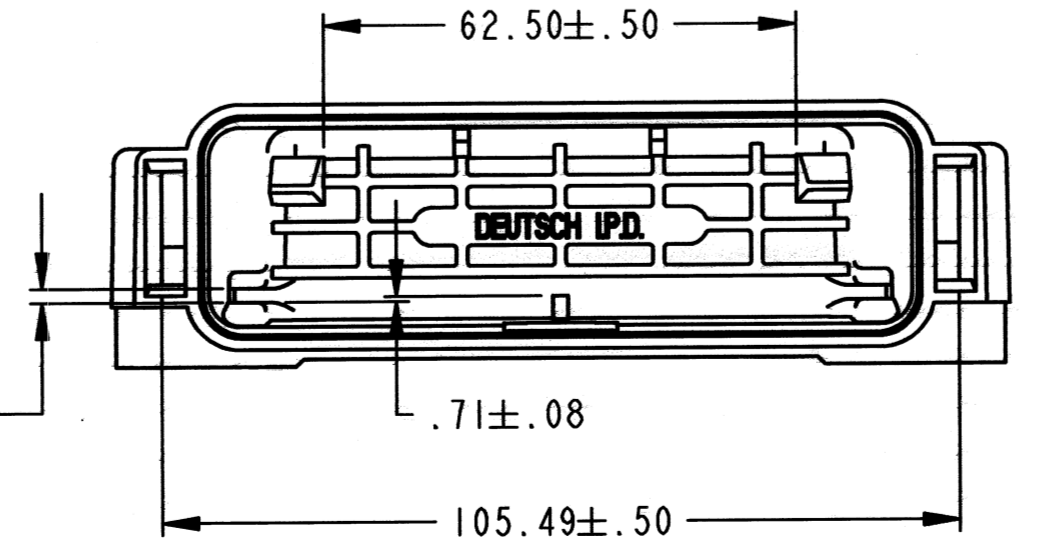
THREE DIMENSIONAL SPACE LIMIT
APPROXIMATE INTERNAL SPACE FOR COMPONENT SPACE LAYOUT
MAX. COMPONENT HEIGHT UNDER BOARD 2.00 mm.



3D VIEW
DTM13-12P*-12P*-R008 AND DTM13-12P*-12P*-GR01 HEADER AND MOUNTING HARDWARE SHOWN FOR REFERENCE



3D VIEW
DTM13-12P*-R008 AND DTM13-12P*-GR01 HEADER AND MOUNTING HARDWARE SHOWN FOR REFERENCE



- NOTES:
- ALL DIMENSIONS ARE METRIC.
 - ALL DIMENSIONS ARE +/- .25 UNLESS OTHERWISE SPECIFIED.
 - ENCLOSURE MATERIAL: NYLON 6/6 BLACK.
 - THIS ENCLOSURE MATES WITH DTM13-12P*-R008 (Ni PINS); DTM13-12P*-GR01 (Au PINS); DTM13-12P*-12P*-R008 (Ni PINS); DTM13-12P*-12P*-GR01 (Au PINS) HEADERS. (* = A,B,C,D KEYS).
- △ MAXIMUM COMPONENT HEIGHT DEPENDS ON LOCATION DUE TO PART DRAFT AND RIBS.

SIGNATURE & DATE	
DR	C. WOODRUFF 25APR00
CHK	5/29/012
PE	Phelan 5/17/12
APPD	S. B. [Signature]
SCALE	NONE WT

PCB ENCLOSURE SHOWN WITH 12 AND 24 PIN HEADER VENTED AND NON-VENTED DTM SERIES

ENVELOPE

EP053	MATL CODE
3850 INDUSTRIAL AVE. HEMET, CA 92545	
DEUTSCH INDUSTRIAL	
EEC-325X4A	
EEC-325X4B	
D	CODE
DWG SIZE	SHEET 1 OF 1